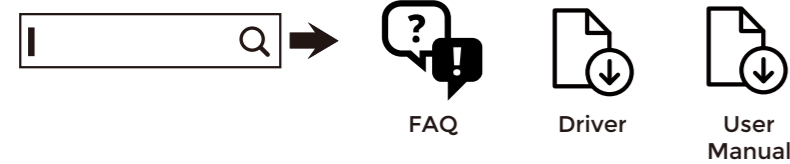


Find your product and get support



 Europe https://aoc.com/uk/support	 Россия https://aoc.com/ru/support
 Australia https://au.aoc.com/user_manual	 Hong Kong S.A.R. https://hk.aoc.com/user_manual
 中國台灣 https://tw.aoc.com/user_manual	 Indonesia https://id.aoc.com/user_manual
 日本 https://jp.aoc.com/user_manual	 한국 https://kr.aoc.com/user_manual
 Malaysia https://my.aoc.com/user_manual	 Myanmar https://mm.aoc.com/user_manual
 New Zealand https://nz.aoc.com/user_manual	 Philippines https://ph.aoc.com/user_manual

 Singapore https://sg.aoc.com/user_manual	 ประเทศไทย https://th.aoc.com/user_manual
--	--

 Việt Nam https://vn.aoc.com/user_manual	 Middle East https://me.aoc.com/user_manual
---	--

 South Africa https://za.aoc.com/user_manual	 Brasil https://aoc.portaltv.com.br/
---	---

 India https://aoc.com/in-en/support	 US https://aoc.com/us/support
--	---

 Canada https://aoc.com/ca-en/support



Product information for EU/UK Energy



Q41G27M2615A61

AOC GAMING



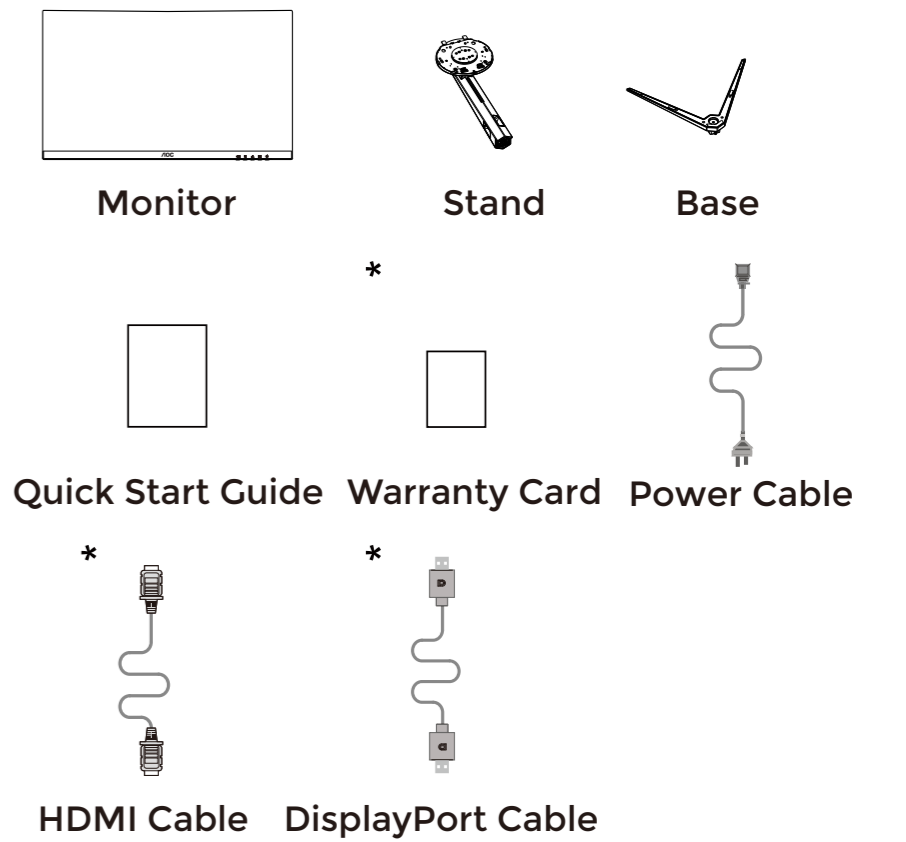
QUICK START GUIDE

C27G4Z2

AOC GAMING MONITOR

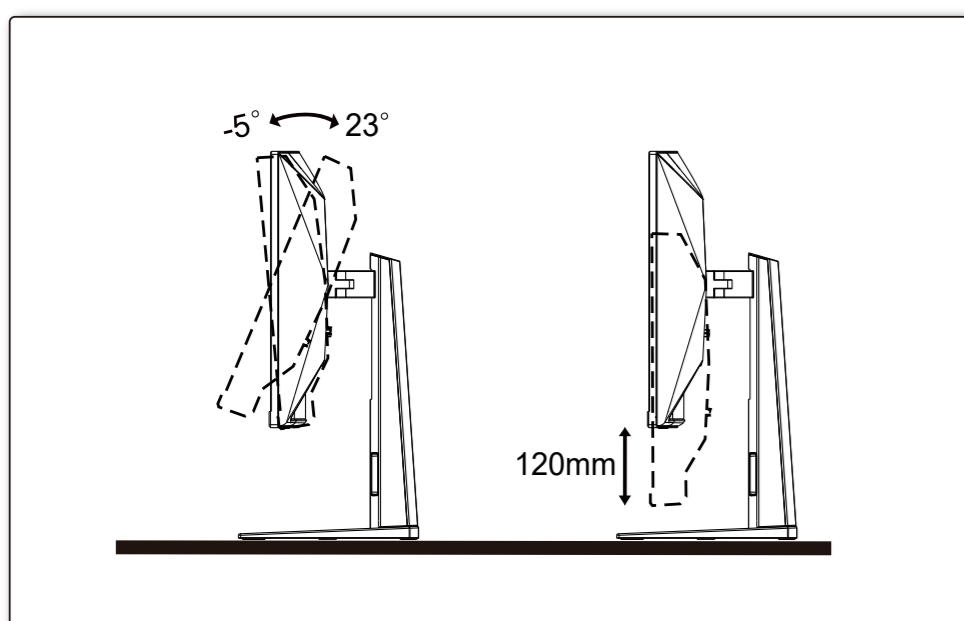
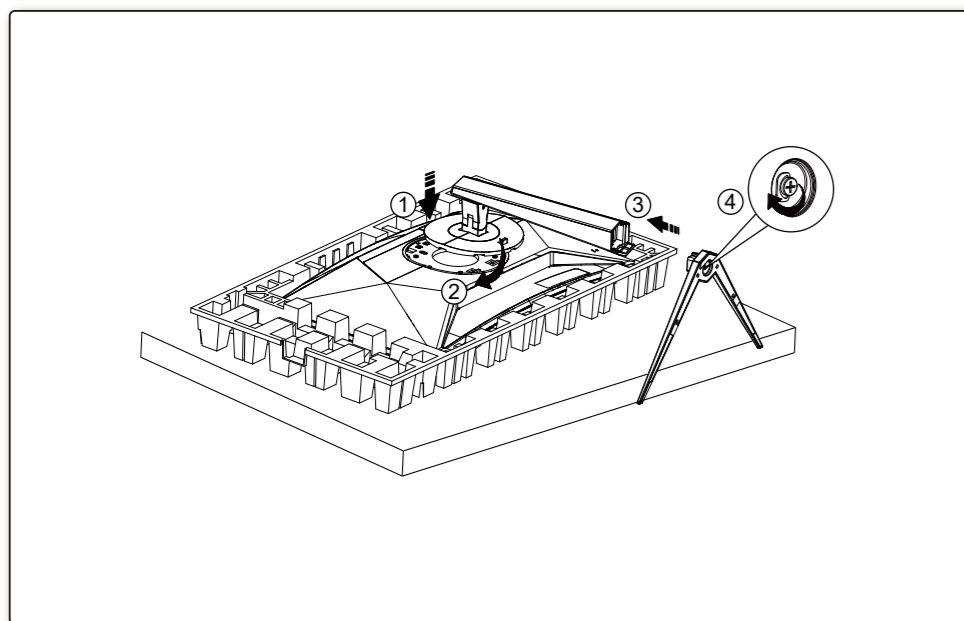
©2025 AOC. All rights reserved

WWW.AOC.COM

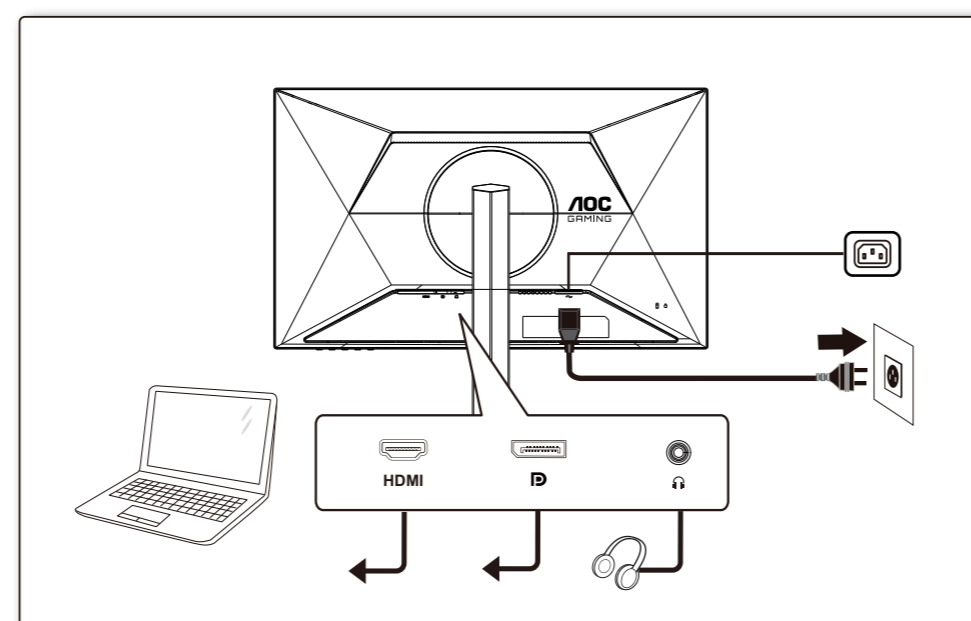
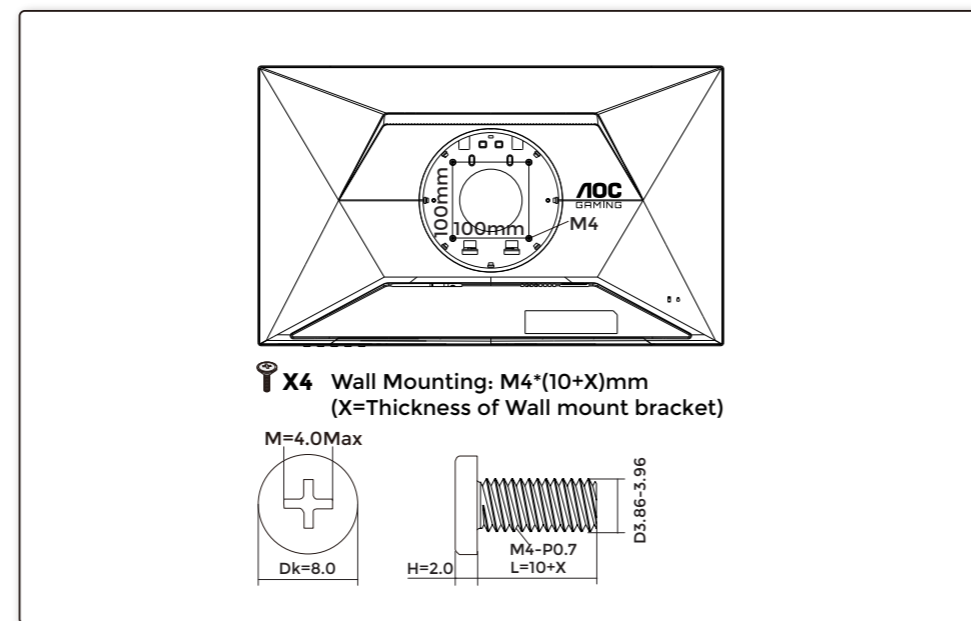


*Different according to countries/regions
Display design may differ from that illustrated

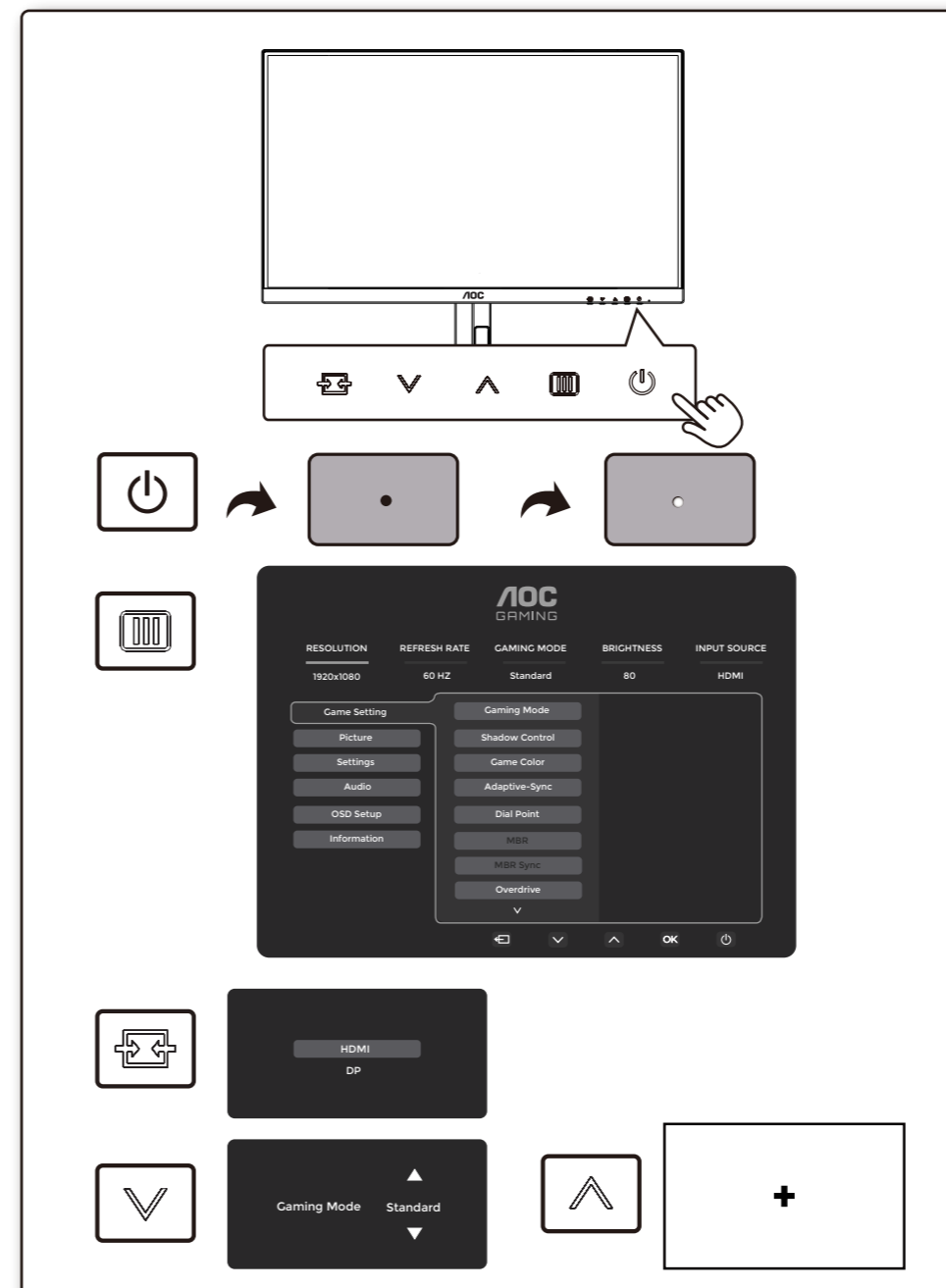
1



2



3



4

General Specification

Panel	Model Name	C27G4Z2		
	Driving System	TFT Color LCD		
	Viewable Image Size	68.6cm diagonal(27" Wide Screen)		
	Pixel Pitch	0.3114mm(H) x 0.3114mm(V)		
Others	Horizontal Scan Range	30k-290kHz		
	Horizontal Scan Size(Maximum)	597.888mm		
	Vertical Scan Range	48-260Hz		
	Vertical Scan Size(Maximum)	336.312mm		
	Max Resolution	1920x1080@260Hz*		
	Plug & Play	VESA DDC2B/CI		
	Power Source	100-240V~ 50/60Hz 1.5A		
	Power Consumption	Typical (default brightness and contrast)	21W	
		Max. (brightness =100, contrast =100)	≤ 37W	
	Standby Mode			≤ 0.3W
Dimensions(with stand)		611.5x(396.4-516.4)x239.4mm(WxHxD)		
Net Weight			5.37kg	
	Connector Type	HDMI/DisplayPort/Earphone		
Signal Cable Type	Detachable			
Environmental	Temperature	Operating	0°C~ 40°C	
		Non-Operating	-25°C~55°C	
Humidity	Operating	10%~85% (Non-Condensing)		
	Non-Operating	5%~93% (Non-Condensing)		
Altitude	Operating	0m~5000m (0ft~16404ft)		
	Non-Operating	0m~12192m (0ft~40000ft)		

*Overclocking is achieved when resolution is at 1920x1080@260Hz. If any display error occurs during overclocking, please adjust the refresh rate to 240Hz.