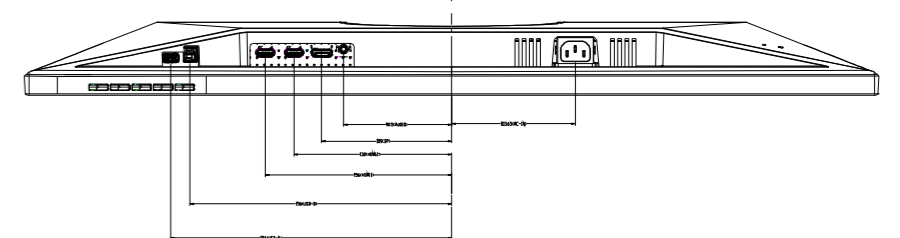
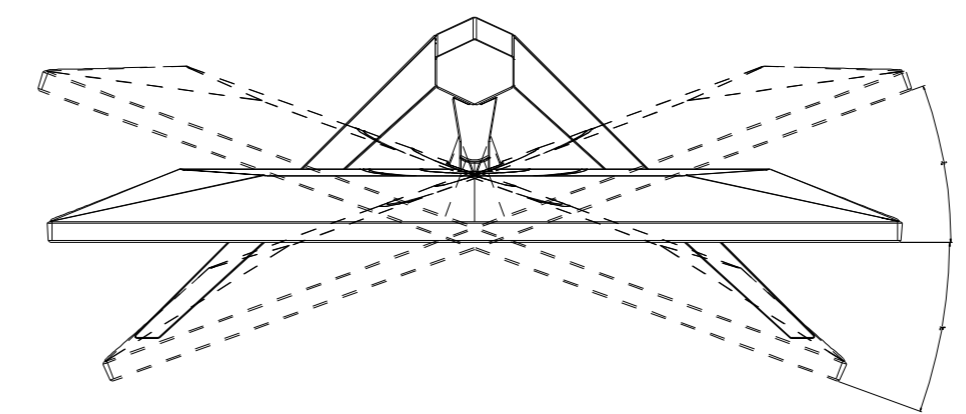
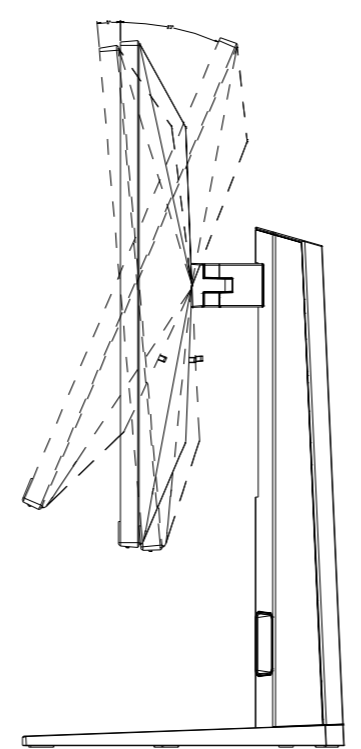
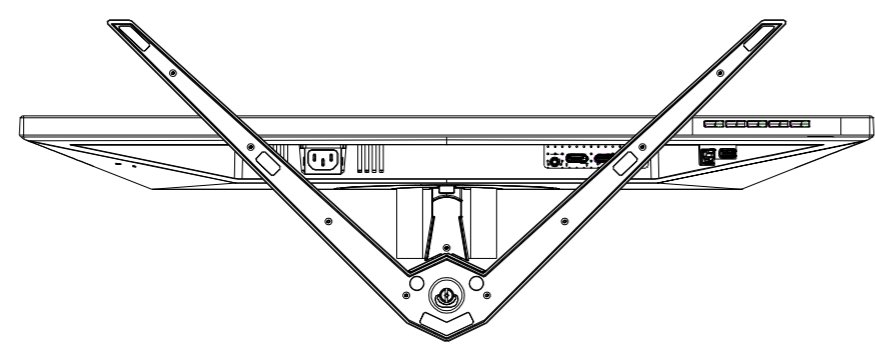
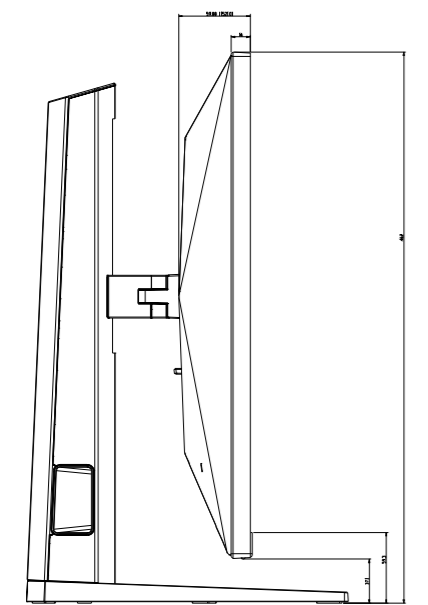
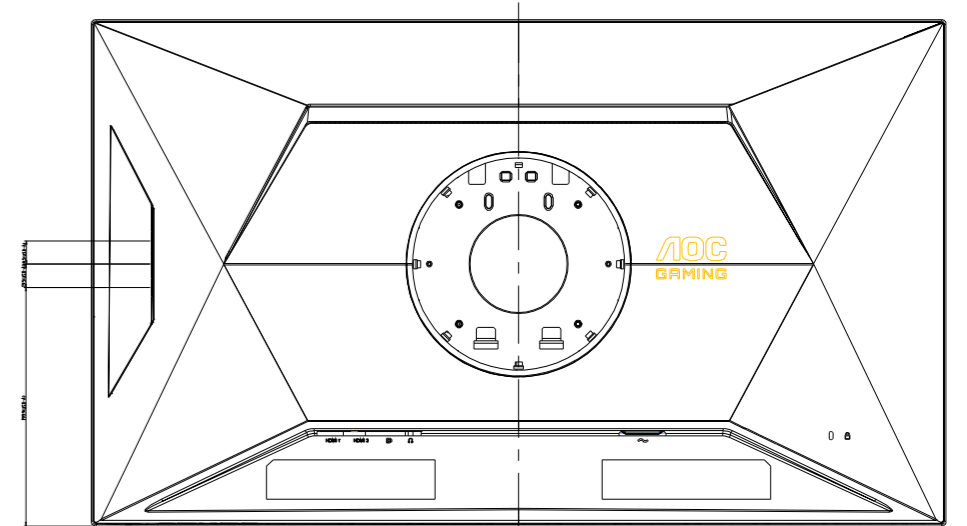
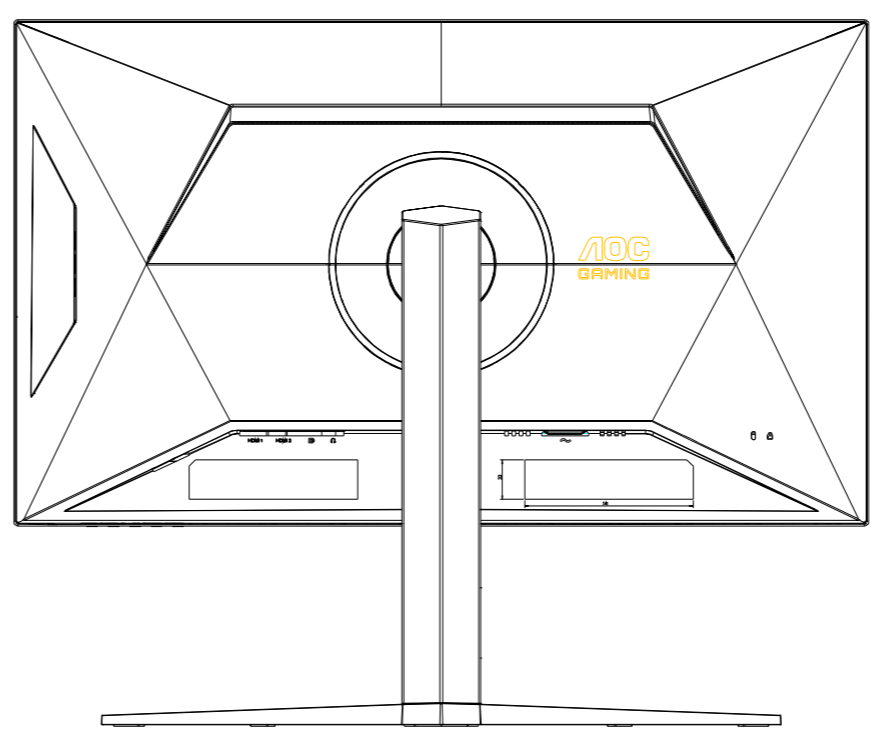
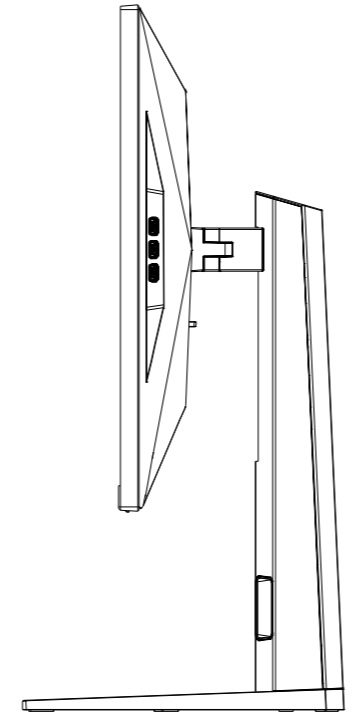
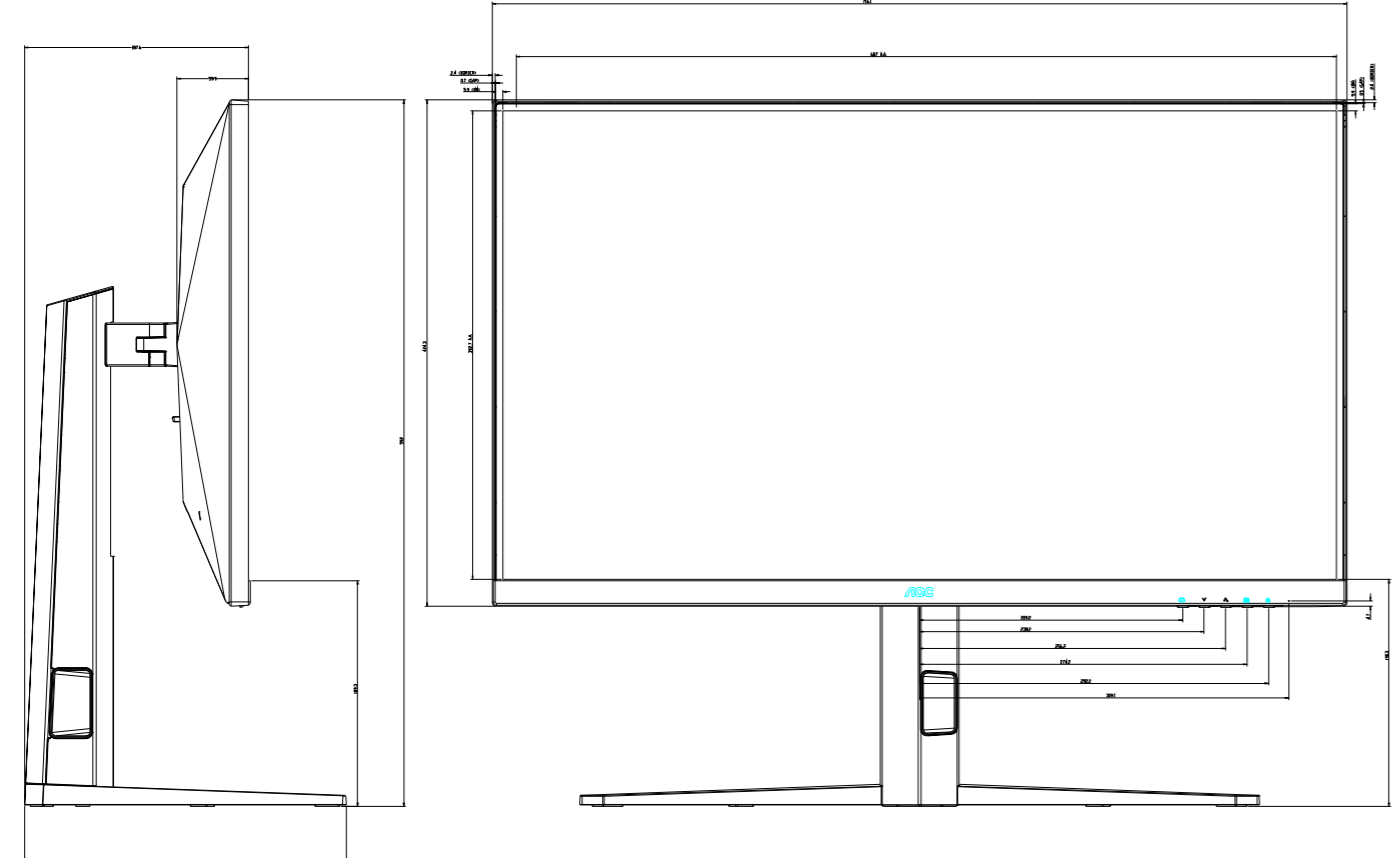
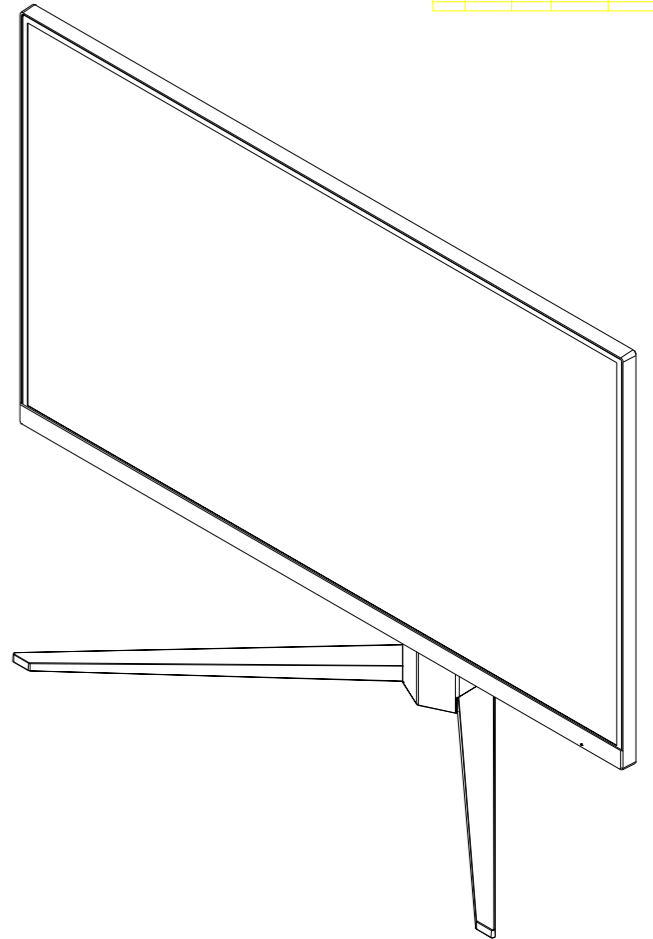
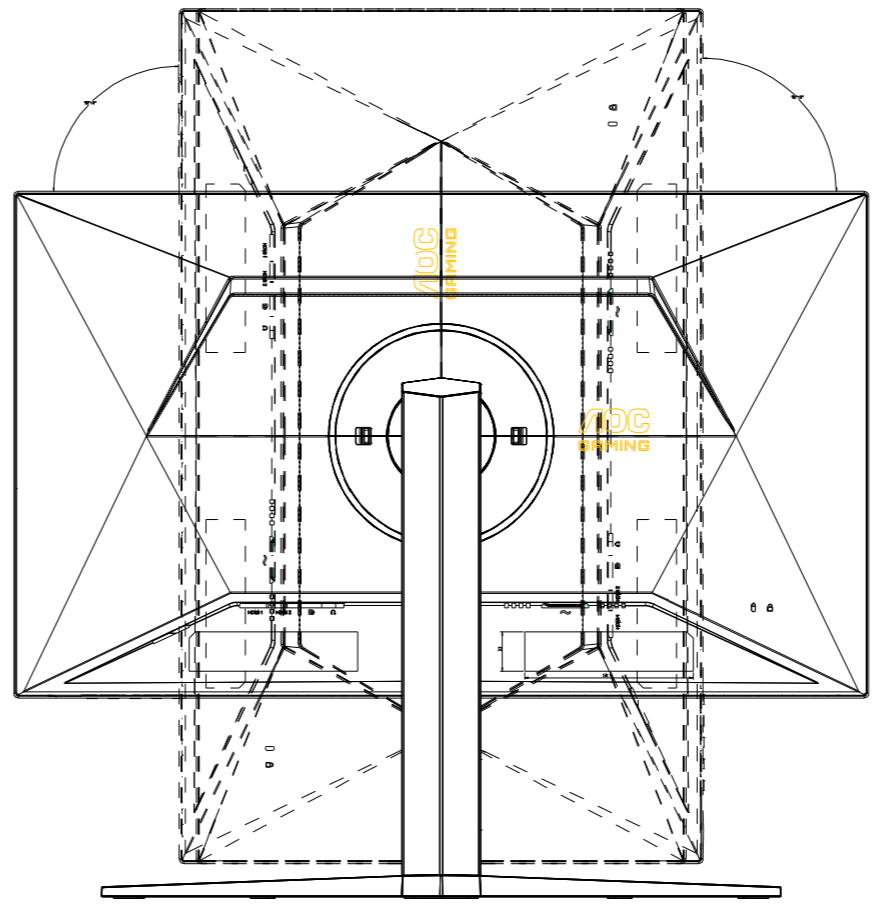
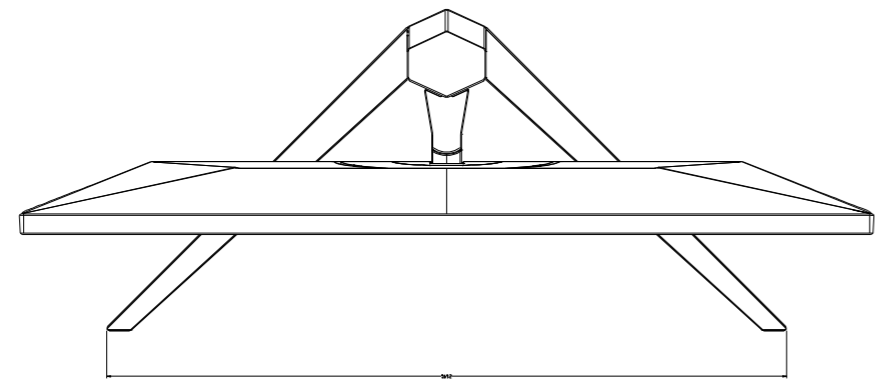


NO.	REV.	DATE	BY	CHK.	APP.



NO.	REV.	DATE	BY	CHK.	APP.

AOC

TPV