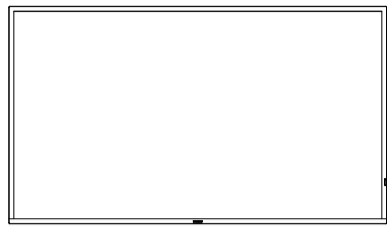
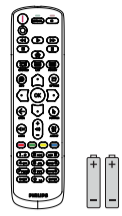


Contents



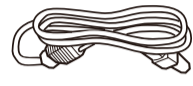
LCD Display



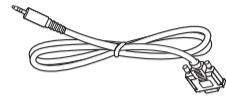
Remote Control and AAA Batteries



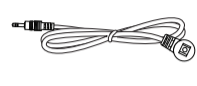
Quick Start Guide



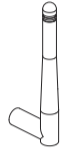
Power Cord



RS232 Cable



IR Sensor Cable



Dipole Antenna x2PCS



Philips Logo Plate

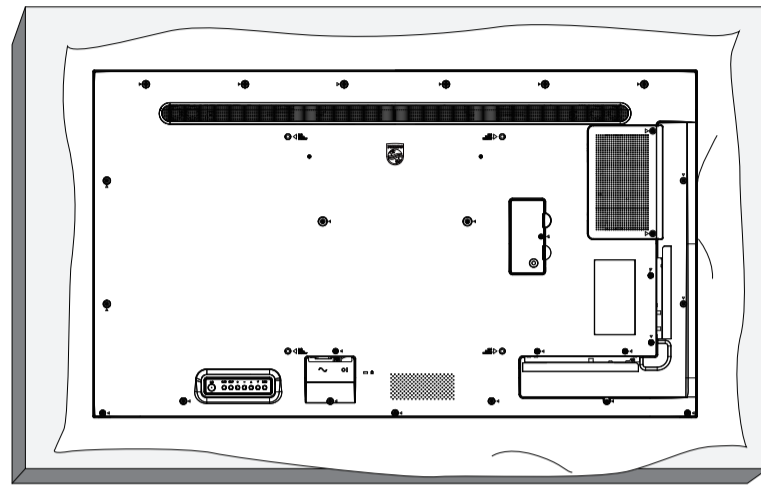


AC Switch Cover

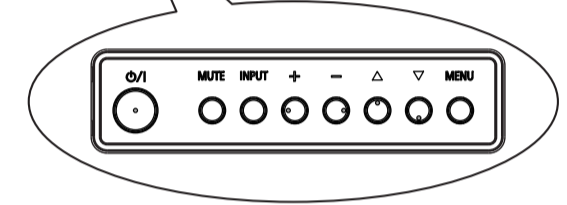
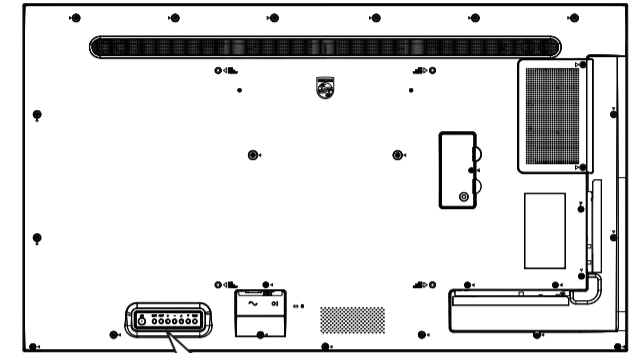
* Differences according to regions.
Display design and accessories may differ from those illustrated above.



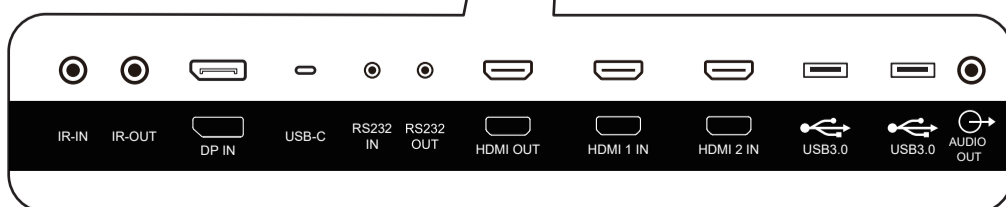
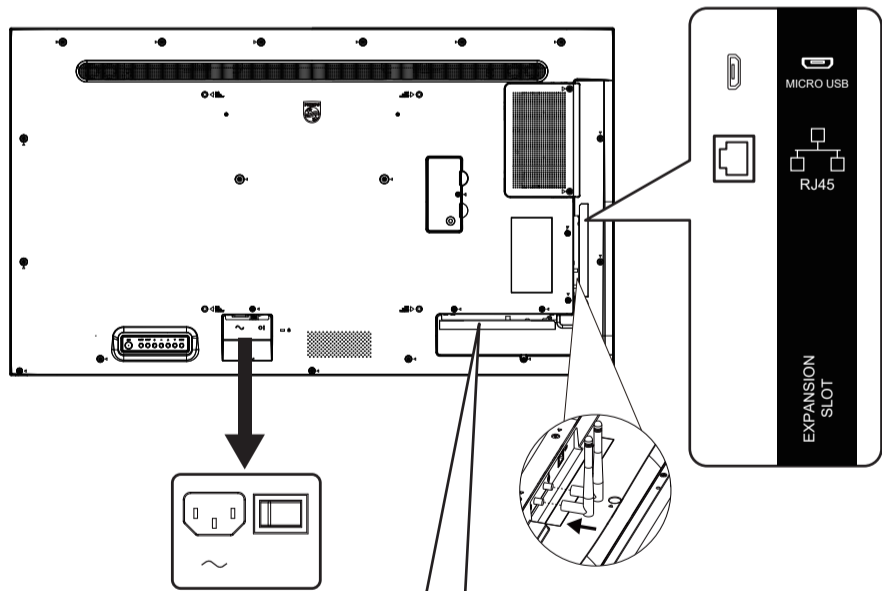
1 Unboxing



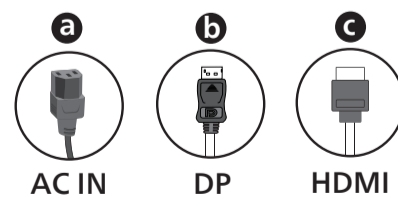
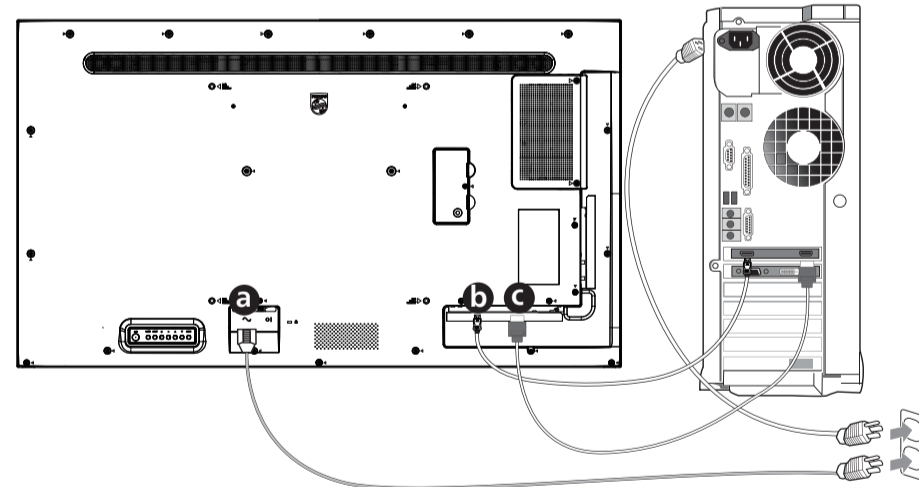
2 Control Panel



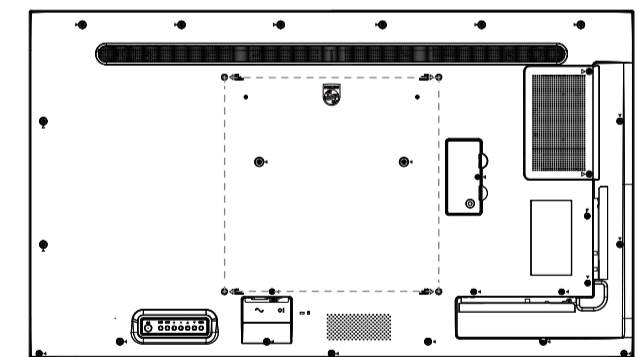
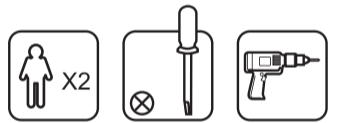
3 Input/Output Terminals



4 Connection



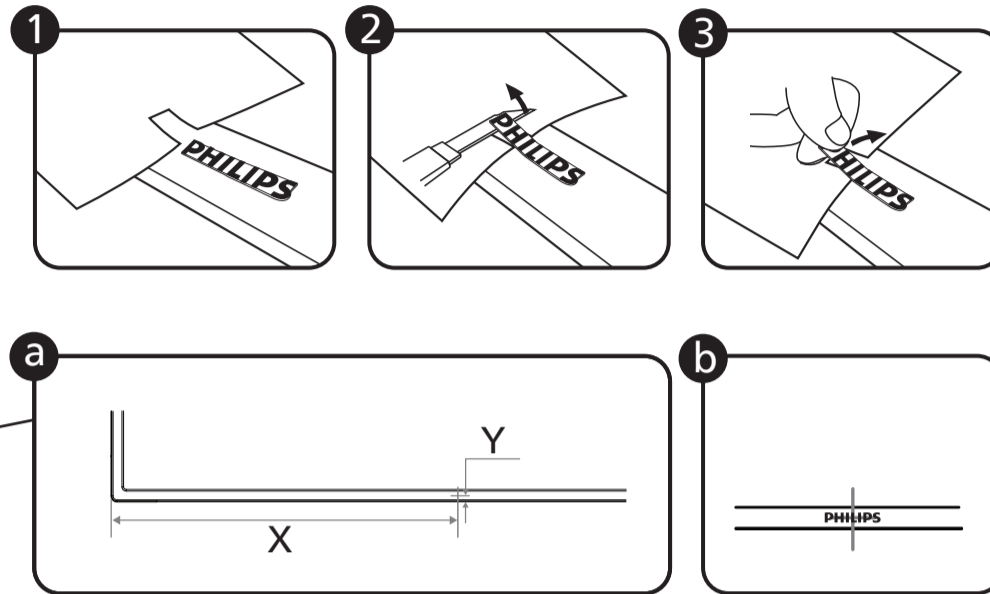
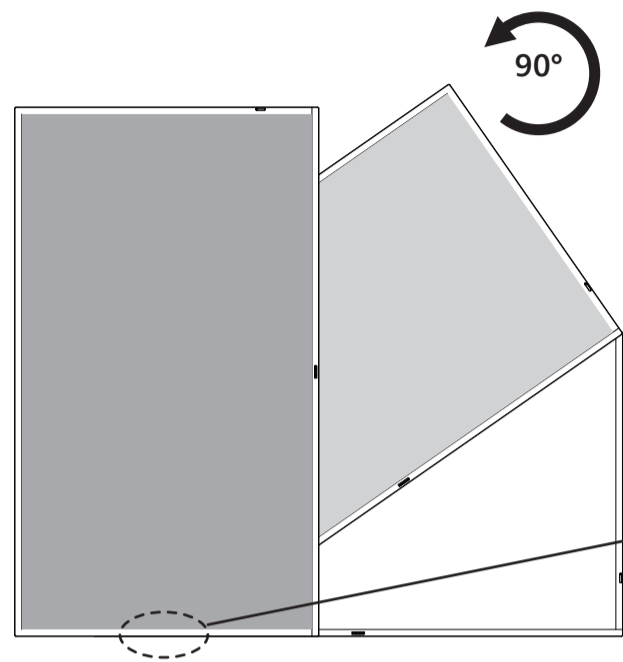
5 Installation



⚓ M6* (10+X) mm
(X=Thickness of Wall Mount BKT)

43BDL5050D: 200mmx200mm
50BDL5050D: 400mmx400mm
55BDL5050D: 400mmx400mm

6 Mounting in Portrait Orientation



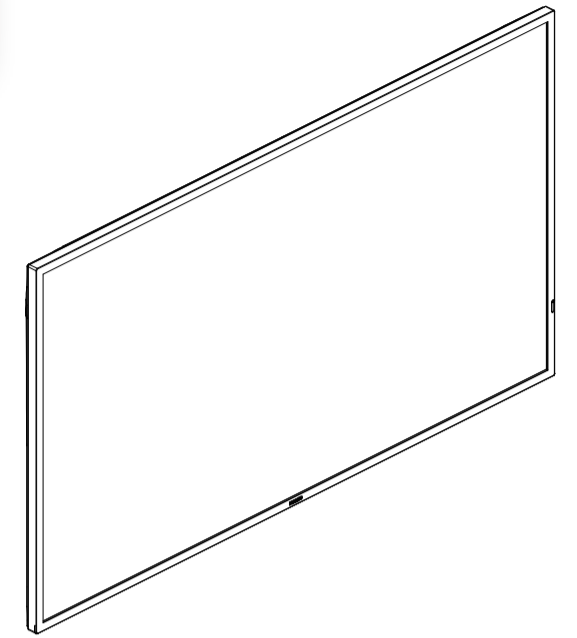
43BDL5050D: X=280.6mm Y=7.4mm
50BDL5050D: X=324.5mm Y=7.9mm
55BDL5050D: X=356.3mm Y=7.4mm

PHILIPS

Signage Display

5000 Series

43BDL5050D
50BDL5050D
55BDL5050D



Quick start



For more information, please visit:
<https://www.philips.com/ppds>



Version: V1.01 2025-09-02

TPV USA Corp
6525 Carnegie Blvd #200
Charlotte, NC 28211
USA

EU Energy Labelling



43BDL5050D



50BDL5050D



55BDL5050D

2025 © TOP Victory Investments Ltd. All rights reserved.

This product has been manufactured by and is sold under the responsibility of Top Victory Investments Ltd., and Top Victory Investments Ltd. is the warrantor in relation to this product. Philips and the Philips Shield Emblem are registered trademarks of Koninklijke Philips N.V. and are used under license.

Specifications are subject to change without notice.



Q41G50M181341B