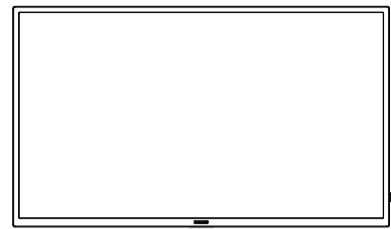
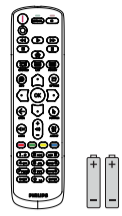


Contents



LCD Display



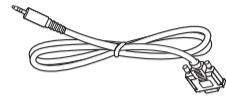
Remote Control and AAA Batteries



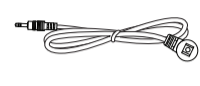
Quick Start Guide



Power Cord



RS232 Cable



IR Sensor Cable

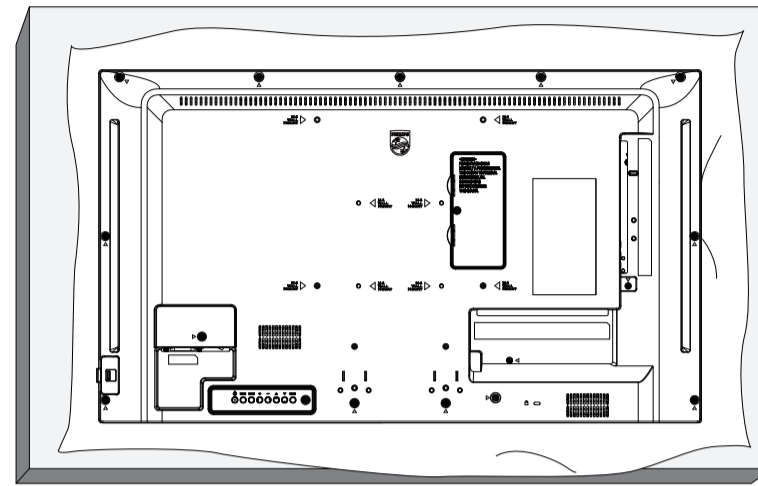


Philips Logo Plate

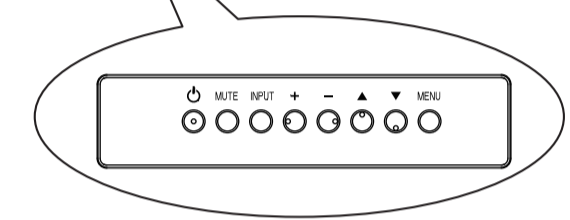
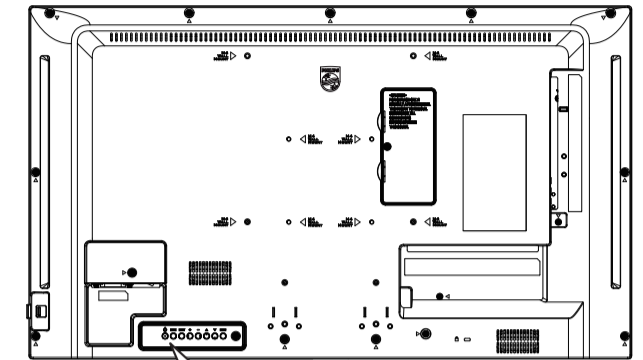
* Differences according to regions.
Display design and accessories may differ from those illustrated above.



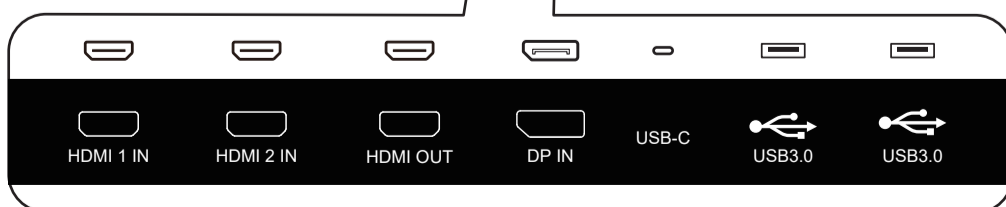
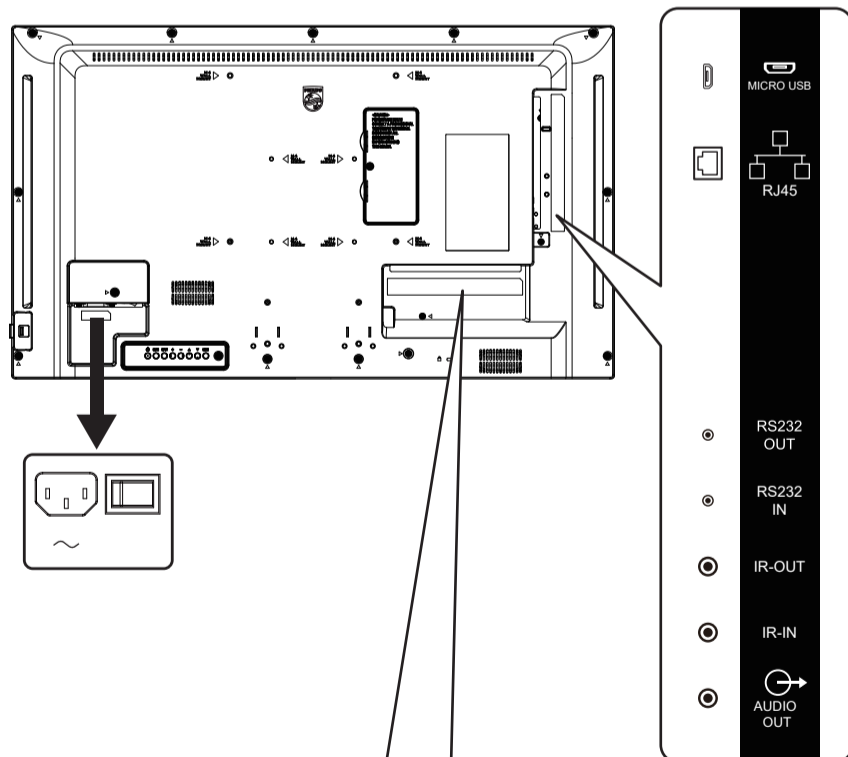
1 Unboxing



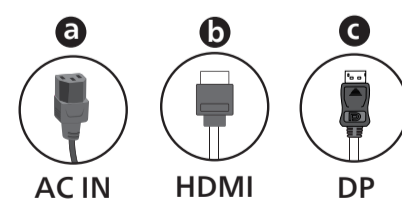
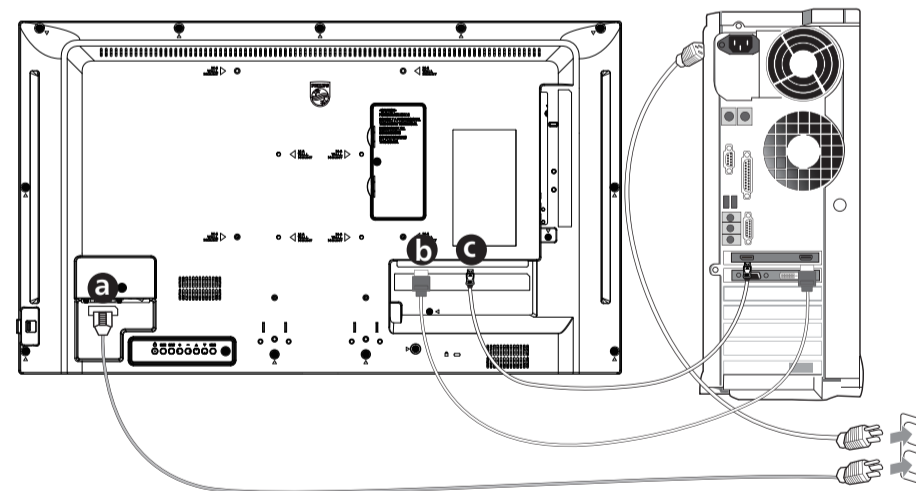
2 Control Panel



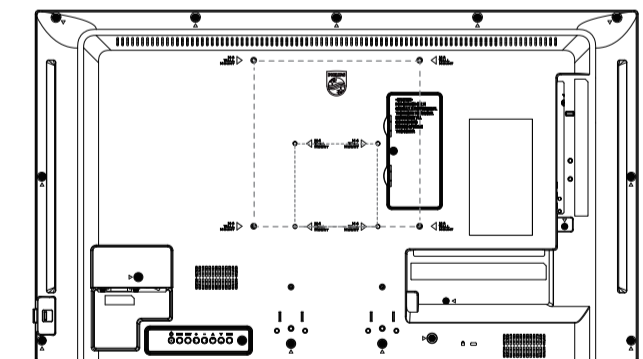
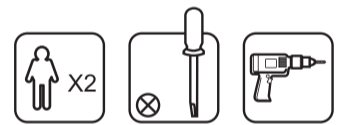
3 Input/Output Terminals



4 Connection

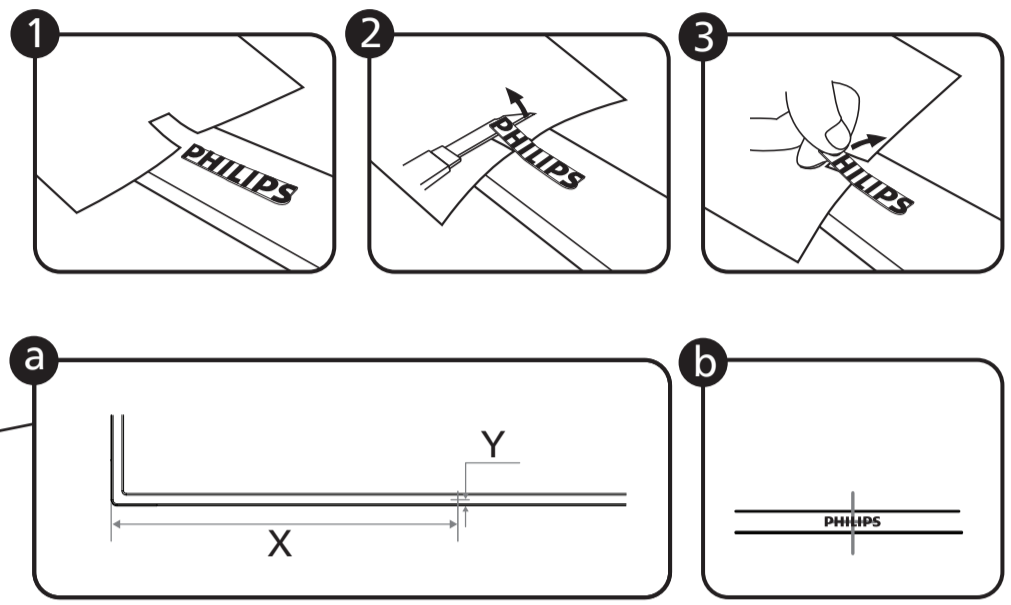
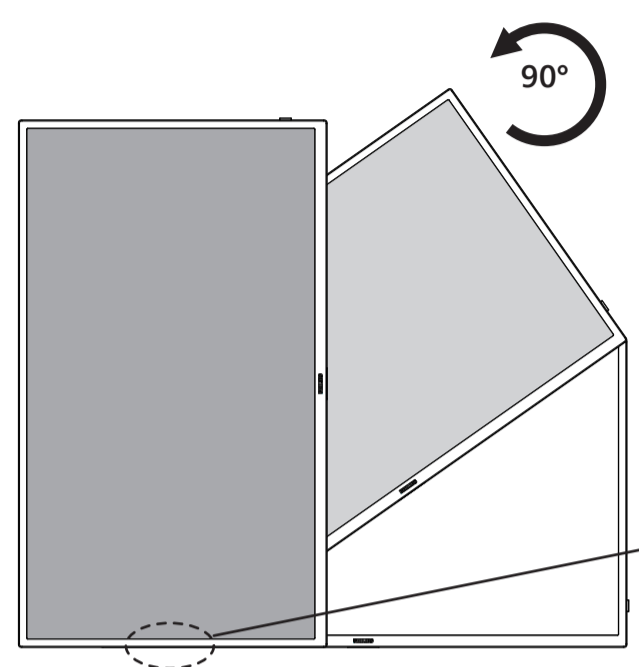


5 Installation



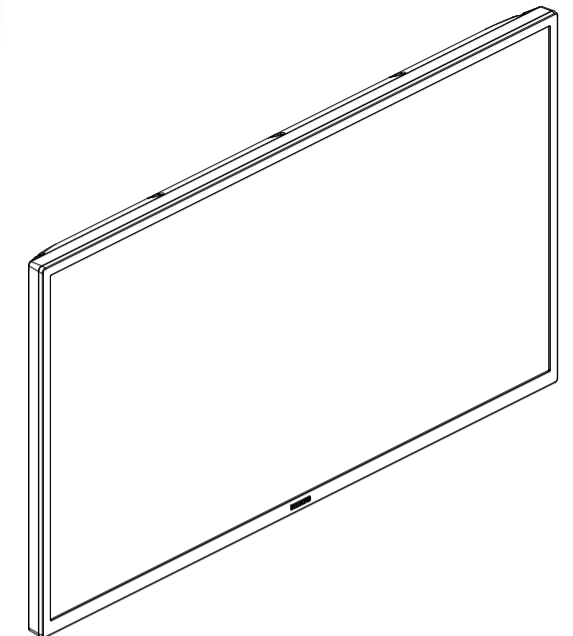
⚓ M4* (10+X) mm
(X=Thickness of Wall Mount BKT)
32BDL5050D: 100mmx100mm
200mmx200mm

6 Mounting in Portrait Orientation



32BDL5050D: X=210.0mm Y=6.5mm

PHILIPS
Signage Display
5000 Series
32BDL5050D



Quick start



For more information, please visit:
<https://www.philips.com/ppds>



Version: V1.01 2025-09-02

TPV USA Corp
6525 Carnegie Blvd #200
Charlotte, NC 28211
USA

EU Energy Labelling



32BDL5050D

2025 © TOP Victory Investments Ltd. All rights reserved.

This product has been manufactured by and is sold under the responsibility of Top Victory Investments Ltd., and Top Victory Investments Ltd. is the warrantor in relation to this product. Philips and the Philips Shield Emblem are registered trademarks of Koninklijke Philips N.V. and are used under license.

Specifications are subject to change without notice.

